

# Water Cooler



This manual shall be made available to all users of this water cooler. To ensure the best results and maximum durability of this U.S. SOLID LLC (hereafter U.S. SOLID) product, read and follow all instructions carefully. All safety suggestions must be followed closely and precautions must be taken to guarantee this machine is only used by qualified personnel who have understood this guide.

**Version 2.0 ©2023 U.S. SOLID LLC. All rights reserved.**

For questions or concerns, email: [service@ussolid.com](mailto:service@ussolid.com)

# Contents

## English User Manual

I. Getting Started.....	1
II. Safety Instructions.....	2
III. Specifications.....	4
IV. Packing List.....	5
V. Installation.....	5
VI. Structural Diagram.....	6
VII. Troubleshooting.....	8

## Deutsches Handbuch

I. Erste Schritte.....	9
II. Sicherheitshinweise.....	10
III. Spezifikationen.....	13
IV. Packliste.....	14
V. Installation.....	14
VI. Strukturelles Diagramm.....	15
VII. Fehlersuche.....	17

## I. Getting Started

Thank you for purchasing the U.S. SOLID water cooler. To ensure smooth and safe operations, please review this full manual.

Changes in technology happen often and rapidly, which is why our team at U.S. SOLID reserves the right to modify the specifications and procedures for this water cooler immediately and without notice. The Company will not assume responsibility for equipment damage or malfunction due to improper operation, incorrect repairs, or use of unauthorized parts.

You have 30 days from the date of delivery to return this product. If the returned item has been opened, a 15% restocking fee will be applied. We provide a 12-month warranty from the date of the sale. Within the warranty window, we are responsible for any replacement parts needed caused by quality issues. If you want to return a defective item, please contact our customer service team to receive a free prepaid shipping label for your return. To expedite the warranty process, please describe the issue and include the following information: purchase date, order number, name of the original purchasing entity, delivery address, and serial number. After the 12-month warranty period, we offer to replace parts at current retail cost, but complete product returns will not be accepted.

The warranty will only be in effect if all instructions are followed. The warranty does not cover damage caused by force majeure (e.g., natural disasters such as hurricanes, floods).

## II. Safety Instructions

This manual includes basic safety precautions and instructions for installation, operation, and maintenance.

- This machine should only be operated by adults who have read and fully understood this manual.
- Always make sure the machine is grounded.
- Keep the work area around the machine clean and free of debris.
- Place the water cooler on a durable and level surface.
- Only use original equipment manufacturer (OEM) parts for your safety and ideal product performance.
- Do not touch any of the electrical connections while the machine is plugged in or turned on to avoid risk of electrocution.
- Never operate the machine with the safety shield removed.
- After not using the cooler for an extended period of time, restart the motor and check that water is being pumped out to prevent damage to the water cooling torch.
- Make sure the input voltage is correct – or the motor may burn out!
- Regularly check for leaks and tight connections of all joints.
- Periodically clean the radiator with dry compressed air to eliminate blockages that can decrease product performance.
- Machine is not waterproof – do not use machine in rain or immerse in water.

## II. Safety Instructions

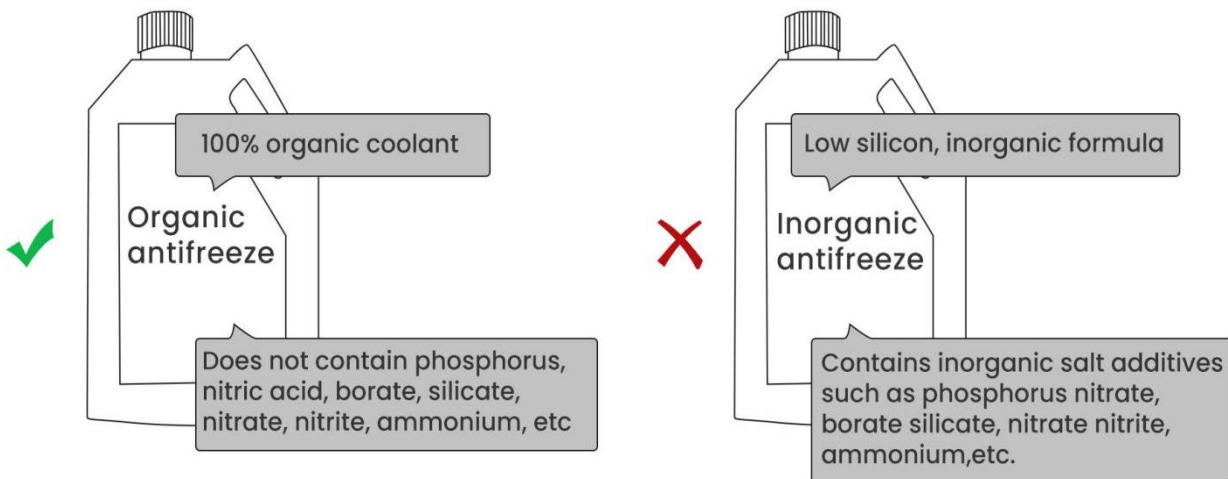
- Always ensure the water tank is filled at least to the minimum safety line. Always monitor the level of the cooling fluid. Add fluid before the level drops below the minimum level indicator. Pump may be permanently damaged when tank is empty!
- Always connect the machine to your welder before welding. This helps protect your welding pen or torch.



If the ambient temperature is above 5°C(41°F), the coolant in the water tank can be deionized water or distilled water. Otherwise, the scales generated may cause water seal leakage. If the pump rusts, the motor will become stagnant.



If the ambient temperature is below 5°C (41°F), it is essential to use organic antifreeze as the coolant in the water tank. The corrosion inhibitor present in inorganic antifreeze can lead to water seal leakage in the pump, overheating of the welding torch, or corrosion of the copper wire in the torch cable.



## III. Specifications

Model	USS-ZWC00001	USS-ZWC00002	USS-ZWC00003	USS-ZWC00004
Current	2.2 A			
Voltage	110 V (single-phase)			
Cooling Capacity	2.8 kW	1.5 kW	1.7 kW	2.6 kW
Power	370 W			
Max. Pressure	0.35 MPa			
Max. Head	~35 m (~115 ft)			
Water Tank Capacity	25 L (6.6 gal)	10 L (2.6 gal)	12 L (3.2 gal)	18 L (4.8 gal)
Flow Rate	7.5 L/min (2 gal/min)			
Operating Temperature	-20°C to 60°C (-68°F to 140°F)			
Product Dimensions	51.5 x 38 x 41 cm (20.3"x15"x16")	48 x 25.5 x 33 cm (18.9"x10"x13")	46 x 31.5 x 32 cm (18.1"x12.4"x12.6")	54.5 x 34 x 39 cm (21.3"x13.4"x15.4")
Net Weight	19.1 kg (42.1 lbs)	15.6 kg (34.4 lbs)	15.6 kg (34.4 lbs)	17.3 kg (38.1 lbs)
Package Dimensions	60.5 x 46 x 50 cm (23.8"x18.1"x19.7")	55 x 34 x 42 cm (21.7"x13.4"x16.5")	57.5 x 40 x 41 cm (22.6"x15.7"x16.1")	60 x 42 x 43 cm (23.6"x16.5"x16.9")
Gross Weight	22 kg (48.5 lbs)	17.5 kg (38.6 lbs)	17.5 kg (38.6 lbs)	20 kg (44.1 lbs)

## IV. Packing List

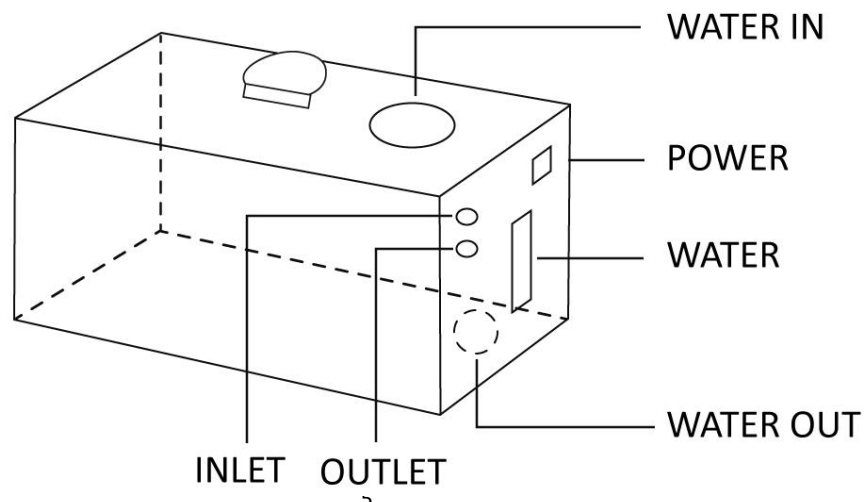
No.	Part	Quantity
1	Water Cooler	1x
2	Stainless Steel Hose Clamps	4x
3	Red Hose	1x (1.5 m (~5 ft) long, 10.5 cm (4.13 in) diameter)
4	Blue Hose	1x (1.5 m (~5 ft) long 10.5 cm (4.13 in) diameter)

## V. Installation

1. Connect the water tank to the appropriate input voltage.
2. Insert the OUTLET of the water tank into the INLET of a welding machine.
3. Insert the INLET of the water tank into the OUTLET of the welding machine.

### IMPORTANT:

The water cooler should always be turned on during welding to prevent damage to the torches or cables.



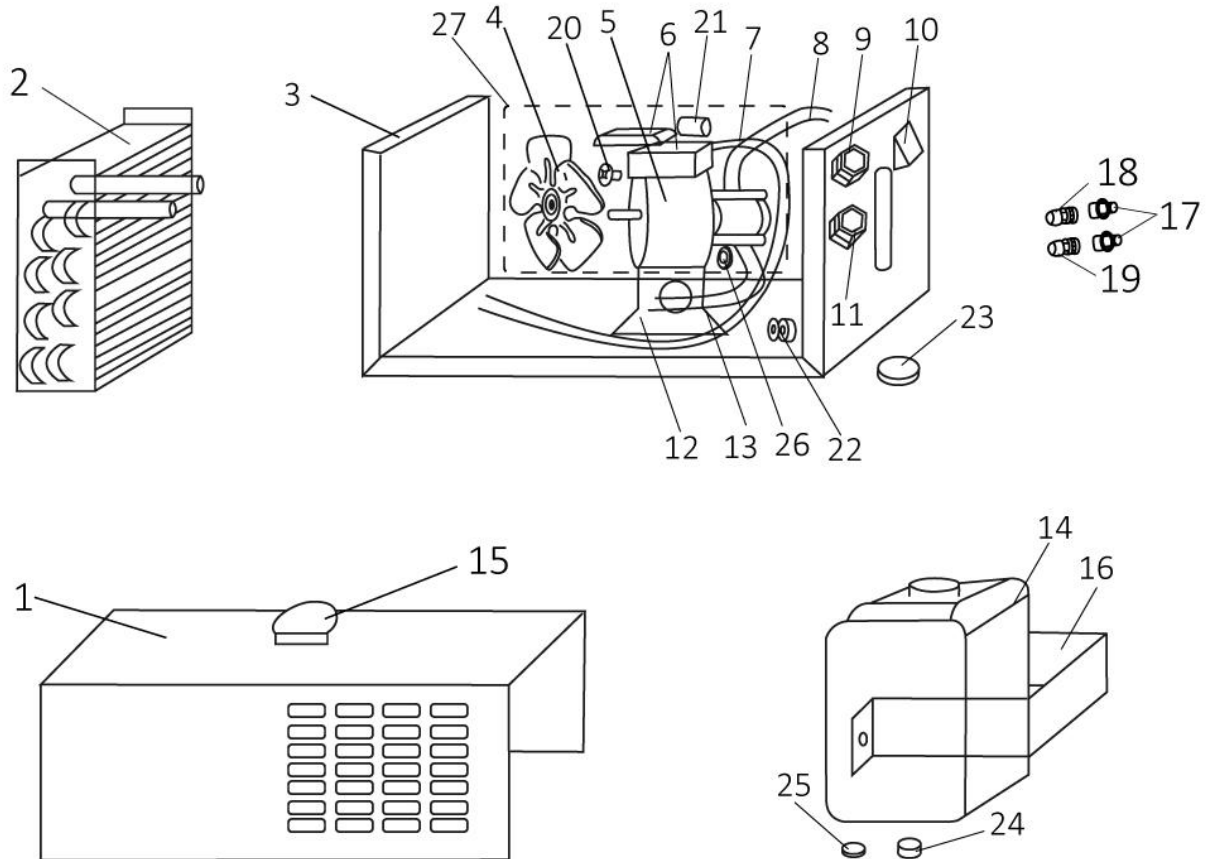
For questions or concerns, email: [service@ussolid.com](mailto:service@ussolid.com)

## VI. Structural Diagram

<b>NO.</b>	<b>Description</b>	<b>NO.</b>	<b>Description</b>
1	Cover	15	Handle
2	Radiator	16	Tank Holder
3	Bottom Panel	17	Quick Connector
4	Fan	18	Inlet Quick Connector(Red)
5	Motor Body	19	Outlet Quick Connector(Blue)
6	Cable Box	20	Fan Socket
7	Power Cable	21	Capacitor for Motor
8	Hose	22	Pump Head
9	Inlet Connector	23	Lid of Tank
10	Main Switch	24	Bottom Cover of Tank
11	Outlet Connector	25	Washer for Bottom Cover
12	Motor Holder	26	Water Sealer
13	Hose	27	Motor
14	Water Tank		



## VI. Structural Diagram



## VII. Troubleshooting

**Issue:**

Motor does not start.

**Possible Causes:**

- a. Main voltage is too low.
- b. Start capacitor is defective.
- c. Motor is defective.
- d. Machine has not been used for a prolonged period.

**Solutions:**

- a. Use the correct electric supply.
- b. Replace the start capacitor.
- c. Contact us for specialized help.
- d. Blow dry compressed air into the water inlet or outlet (20 seconds).

**Issue:** Motor works well (= air blowing out of the radiator), but there is little to no water draining.

**Solution:** Blow dry compressed air into the water inlet or outlet (20 seconds).

**Issue:** Fan does not work.

**Possible Cause:** Dirt blockage inside the pump.

**Solution:**

Safely unplug the machine, remove the protective cover, and clean the fan.

