



LABEL REWINDER

User Manual

Model: USS-LRW00016



This manual should be made available to all users of this equipment. For best results, and for maximum durability of the equipment, carefully read and follow all instructions.

Version1.0©202408

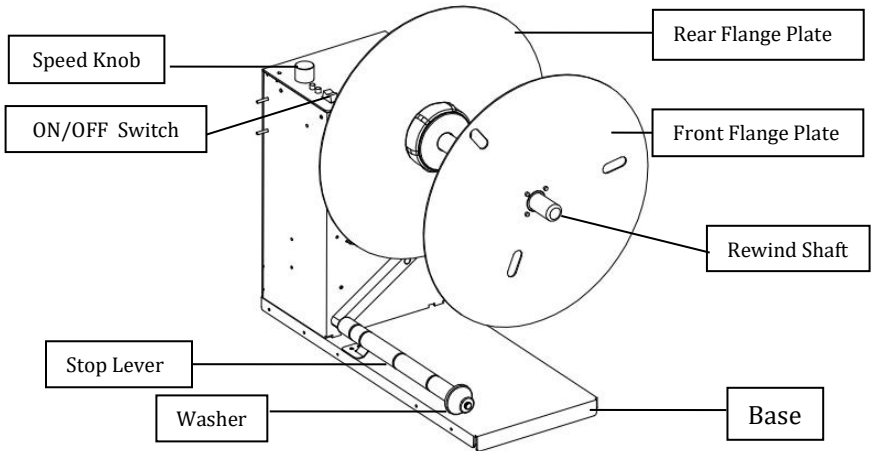
[For questions or concerns, e-mail service@ussolid.com, visit www.ussolid.com](mailto:service@ussolid.com)

I. Product Specifications

MODEL	USS-LRW00016
Max. Label Width	8.26" (210 mm)
Max. Label Roll Diameter	11.8" (300 mm)
Max. Label Roll Weight	33 lbs (15 kg)
Core Diameter	3" (76 mm)
Core Holder	Mechanical Chuck
Voltage	AC 100V-240V, 50/60Hz

Please pay attention to the parameter Max. Label Roll Weight, do not overload the machine, otherwise the machine's service life will be shortened.

II. Machine Introduction



Pack List:

1x Automatic Label Rewinder; 1x Power Adapter; 1x User Manual

III. Features

1. Sturdy metal construction
2. Synchronized speed with printer
3. Designed for continuous 24-hour operation
4. Compatible with all barcode printers, ideal for UV color label printers; features microgravity sensing for fully automatic winding and rewinding, avoiding damaging the printer gears or motor to prevent high maintenance costs.

IV. Operating Instructions

Rewinding Labels

1. According to your needs, please place the rewinder in the correct position relative to the printer. Position it on the side of the printer where the paper exits for material collection. Placing it on the side of the printer where the paper feeds in allows for automatic feeding.
2. Install your label paper tube on the Core Holder, pass the label web under the stop lever and pull it to the paper tube, finally along the rewinding direction and use a piece of tape to secure it in place.
3. Install the front flange plate to guide the outer edge of labels and ensure an even roll.
4. Adjust the position of the washer on the stop lever to make it closer to the label, in order to secure the position of the label.
5. Turn the Power Switch to ON position.
6. Start the printer and confirm that the labels are being rewound correctly. Keep the label roll and printer as parallel as possible. You can adjust the Adjustable Speed Knob on the rewinding machine until the desired settings of the label feed are achieved.
7. When rewinding is finished, toggle the Power Switch to the OFF position. Slide the cardboard core and the labels off the machine.

V. Notice

1. Do not plug in, unplug the cord, or operate the machine with wet hands.
2. This product is only for indoor use and must not be used in wet locations.
3. During the operation of the machine, please do not touch the rewinder shaft, and never stop its rotation.
4. Turn off the power switch and unplug the machine before removing waste material or performing any cleaning or maintenance services.

VI. Warranty

The machine's motor and circuit board have a 1 year warranty. This warranty covers any defects in material or workmanship under normal use.

Within 30 days from the date of delivery, U.S. Solid will either work with you to get your product working with the use of replacement parts, replace the product after receiving the returned defective machine, or accept a return for a full refund.

After the first 30 days but still within 1 year from the date of delivery, U.S. Solid will send new or refurbished replacement parts at no charge, so you can repair the product if necessary.

